

CAST

IP that Works

Meredith Lucky

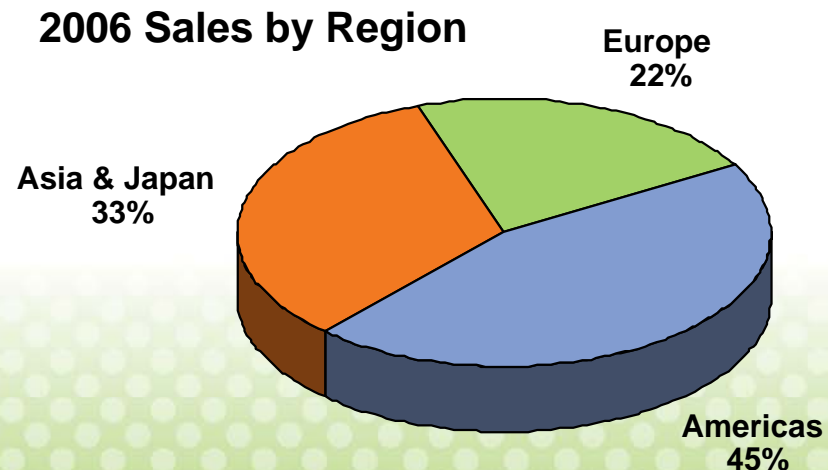
Director of Sales



Who is CAST?



- Fourteen years in IP
 - Privately held
 - Based in New Jersey
 - International partner network
- Unique market approach
 - Over 100 cores, popular and standards-based
 - Independent of technologies and tools
- Financially successful
 - Over 650 core sales to 400 customers
 - Stable: no IP employee turnover
- Focus on support
 - 24/7 culture
 - Global team of ~100 people
 - Extremely fast response



What is “IP that Works”?



- Useful *Broad line of cores people need*
- Flexible *ASICs, Structured ASICs, FPGAs*
- Ready *Quality-tested and fully productized: documentation, test bench, scripts*
- Mature *Built with years of experience; backed by great support*
- Proven *We are stable, reliable partners with hundreds of design wins*



Broad Line of IP Cores



Processors

- 8-bit 8051 configurable
- 8-bit Z80
- 16-bit 68000, 80186eb
- 16- and 24-bit DSPs
- 32-bit 68000 AHB

APS Family

- 32-bit APS 2 & 3
- APS-DSP

Memory & Peripherals

Device Controllers

- Smart Card Reader
- TV Display
- VGA Display

Memory Controllers

- DDR1/2 SDRAM
- SDR mobile SDRAM
- NAND flash

Storage Controllers

- ATA/IDE Interface,
- Gen. Purpose I/O Unit

Communications

- Consumer IR Controllers
- Synchronous UARTS
- SDLC

Multimedia

- JPEG, Lossless
- JPEG-LS
- JPEG 2000
- H.264
- MPEG-4
- Audio: I2S, SPDIF
- Image Conversion

Interfaces

- PCI & PCI Express
- MACs
- FireWire
- USB & OTG
- CAN, LIN, I2C, SPI
- ECP & EPP

Encryption

- AES
- DES, Triple DES
- MD5
- SHA-1, SHA-256

Replacements

- Processors, Bit Slices
- Controllers
- Peripherals, Timers, UARTs
- Z80 Support
- TTL Parts

SoC Kernels

Pre-integrated HW & SW

- APS
- ARC, ARM, eASIC

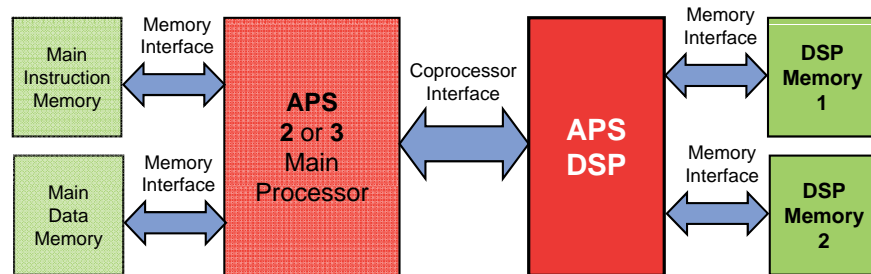


Recent News & DAC Highlights



APS Coprocessor

Fast math operations and optimized data handling for analog & mixed-signal applications



New APS Design Win

e2v chose APS3 as smallest, fast processor for mixed signal ASICs



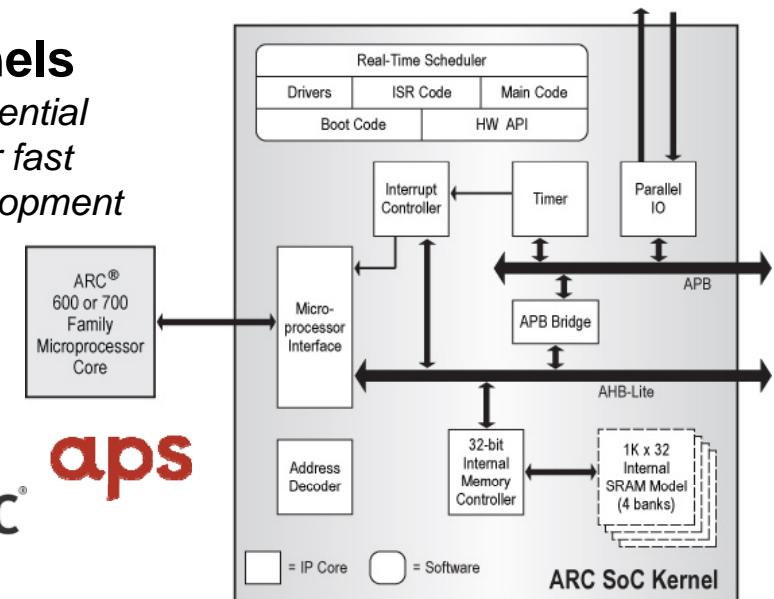
PCI Express

New downloadable simulation model for endpoint controller



SoC Kernels

Combine essential HW & SW for fast system development head start



JPEG 2000 Encoder

New version of this high-quality, flexible image compression core



Thank you

CAST

- Useful *Broad line of cores people need*
- Flexible *ASICs, Structured ASICs, FPGAs*
- Ready *Quality-tested and fully productized: documentation, test bench, scripts*
- Mature *Built with years of experience; backed by great support*
- Proven *We are stable, reliable partners with hundreds of design wins*



Thank you!

CAST

- Please stay and talk with Meredith
- Explore CAST IP at ChipEstimate.com
- Use CAST IP to Plan a Chip at DAC (get a DAC Trip Report!)

